



CS20-8K

Multimedia Server

Specification V1.2

Contents

Overview	2
Features.....	2
Application	3
Hardware	4
Specifications.....	5
Dimensions.....	6

Version	Release date	Description
V1.0	2020-07-24	First release
V1.1	2020-12-22	Update dimension figure
V1.2	2021-02-03	Update application figure

CS20-8K Multimedia Server

Overview

CS20-8K is a new generation of multimedia server developed by Colorlight with high scalability, powerful functions and stable performance. Adopting high quality hardware, it is able to play 8K video files and output 4 channels of video signals up to 4K@60Hz resolution. With the built-in professional video playback and control software, GrandShow, it can decode different formats of assets at the same time, and special display like screen splitting, synchronous playback, and special-shaped splicing can be realized. Meanwhile, unlimited layers and scenes, and seamless switching are supported, significantly meeting the application demand from the video playback and control industry.

Features

- Output connectors: 1×DP1.2/HDMI2.0, 4×DP1.4
- 1×DP1.2/HDMI2.0 output supports up to 4K@60Hz resolution
- 4×DP1.4 outputs support up to 4096×2160@60Hz resolution per output
- Supports pixel to pixel display of 8192×4320@60Hz resolution
- Supports viewing device information, loading projects, switching scenes and adjusting image color on the touch screen of the front panel
- Supports playing multiple contents such as videos, images, PPT files and texts
- Supports editing, previewing, switching, saving and copying multiple scenes
- Supports shortcut functions such as image freezing, background image display and scenes switching
- Supports 10-bit HDR video decoding and playback
- Supports the display of ultra-wide screens and special shaped screens
- Supports image rotation at any angle and color adjustment
- Supports device redundancy, device cascading, and simultaneous playback
- Supports real-time monitoring of system status, and warning of device failure and abnormal playback
- Supports previewing playback content and monitoring output images in real time
- Supports shortcut control of the external MIDI console

- Supports acquiring external signals from NDI and the acquisition card
- Supports system restoration

Application



Hardware

Front panel



No.	Item	Function
1	7" touch screen	Display system information. Some functions can be set on the screen (when the playback control software is opened).
2	USB	2×USB3.0 ports, for connecting to the keyboard, mouse or USB drive
3	Power button	Turn on or turn off the power

Back panel



Output		
1	HDMI2.0	1×HDMI2.0, for connecting to the LCD that displays the control interface
2	DP1.2	1×DP1.2, for connecting to the LCD that displays the control interface
3	DP1.4×4	4×DP1.4, for connecting to the main display

Audio		
1	SPDIF OUT	Digital audio connector
2	REAR	Rear surround left and right channel connector
3	C/SUB	Connect to the sound channel of the 5.1 or 7.1 multichannel speakers
4	MIC_IN	3.5mm microphone input
5	LINE OUT	3.5mm audio output, for connecting to the speaker
6	LINE IN	3.5mm audio input
Other		
1	USB	4×USB3.0 (or above) ports
2	PS/2	Connect to the keyboard or mouse
3	RJ45	Gigabit Ethernet port, for connecting to the Internet
4	WiFi	WiFi antenna connector, for connecting to the 2.4G/5GHz wireless network
Power		
1	AC 100~240V	AC power connector

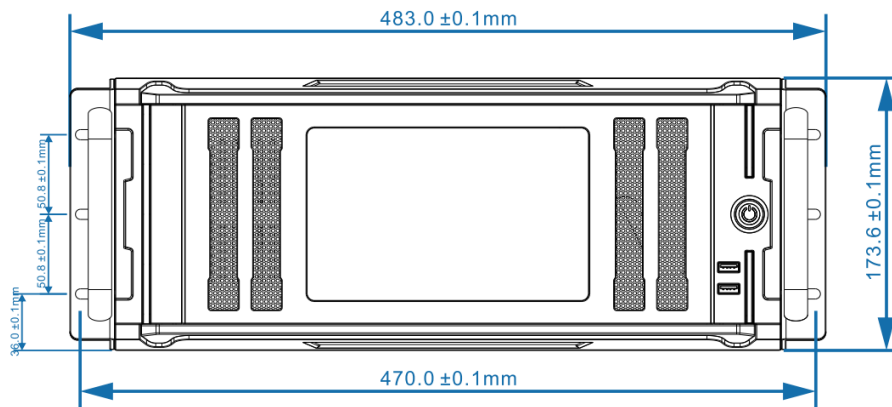
Specifications

Item	CS20-8K	
Chassis	4U	
LCD	HDMI2.0×1/ DP1.2×1 (Up to 4096×2160@60Hz resolution)	
CPU	intel 8 cores 8 threads	
RAM	8G×2	
SSD	256G M.2 high speed SSD	
HDD	2TB Large HDD	
Acquisition card (optional)	SDI/DVI connector	
Graphics card	Quadro 5G professional graphics card	
Video output	DP1.4×4	
Maximum resolution per channel	4096×2160@120Hz	
Maximum resolution	8192×4320@60Hz	
Audio	Audio input and multichannel output	
Net bandwidth	1000M	
Software	GrandShow	
Working environment	Temperature	0°C~45°C/32°F~113°F
	Humidity	10%RH~80%RH, non-condensing

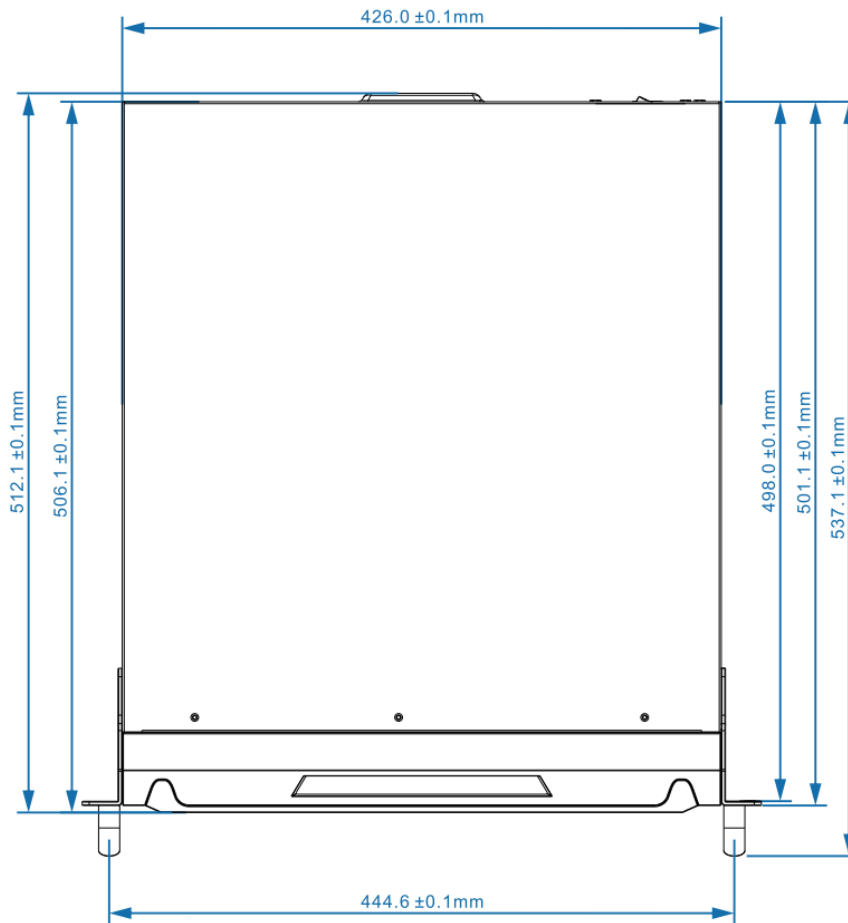
Storage environment	Temperature	0°C~50°C/32°F~122°F
	Humidity	10%RH~90%RH, non-condensing
Electrical specification	Power supply	AC100~240V, 50~60Hz
	Power consumption	300W
Physical specification	Net weight	17kg/37.5lbs
	Dimensions (W×H×L)	483.6mm×173.6mm×506.2mm

Dimensions

Unit: mm



Colorlight



Statement

Thank you for purchasing the product of Colorlight Cloud Tech Ltd. If you encounter any problems during use or have any suggestions, please contact us through official channels. We will do our best to provide support and listen to your valuable suggestions. We will constantly make improvements on technical specifications but without notice. You can visit www.colorlightinside.com to get more updated information.