



H2F Fiber Optic Transceivers

Specification

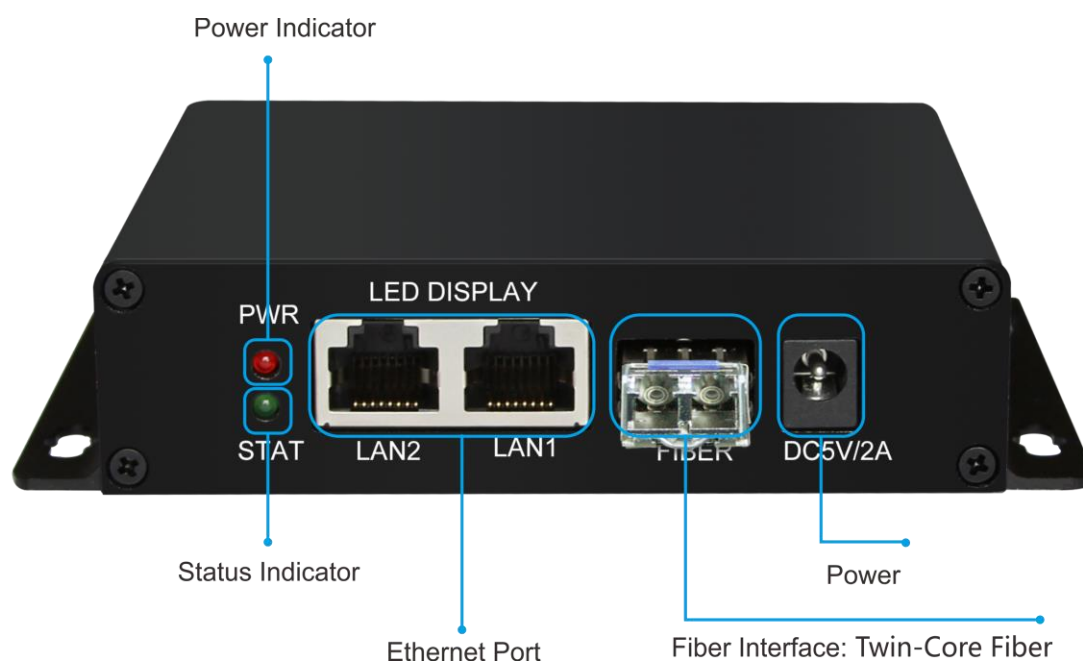
H2F



Features

- Distributed feedback laser diode (DFB LD)
- Up to 2.5Gb/s data links
- Multi-source package with duplex LC connector
- Hot-pluggable
- Eye safety designed to meet laser class 1

Interface Description

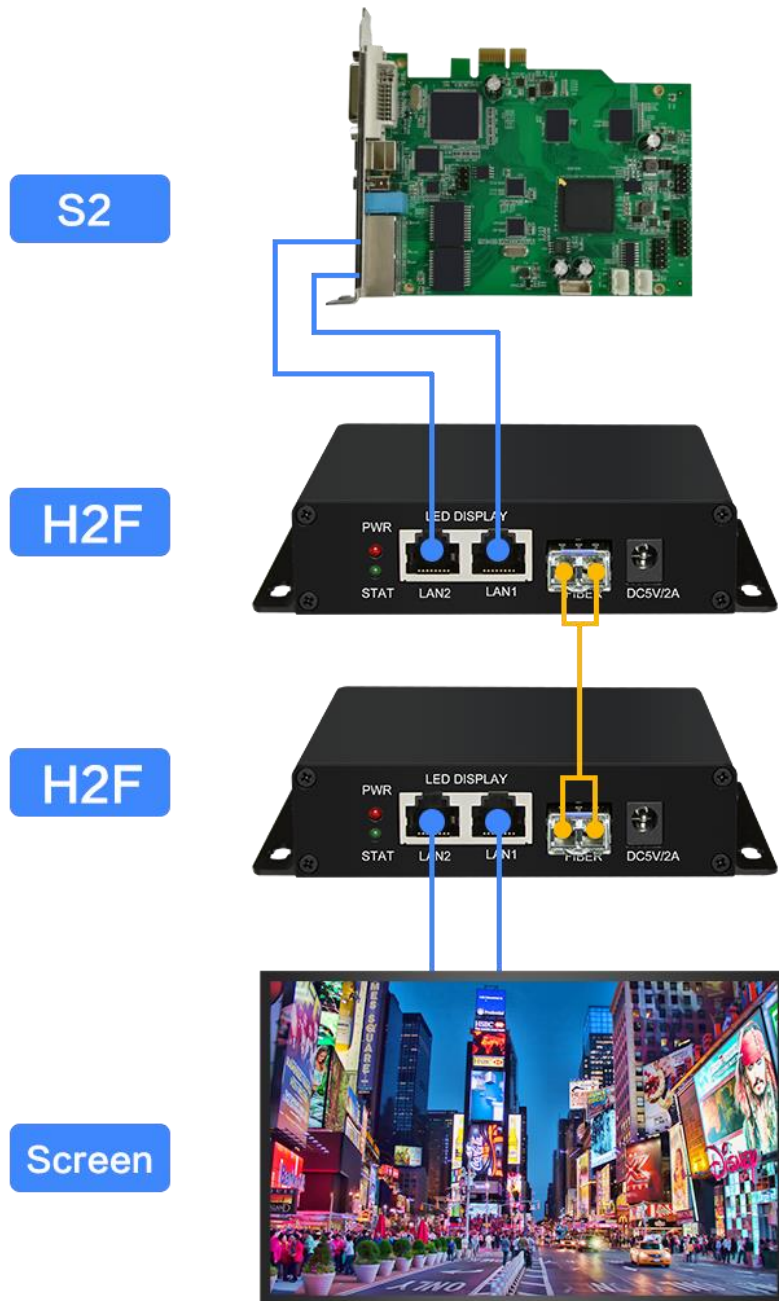


Parameters Description

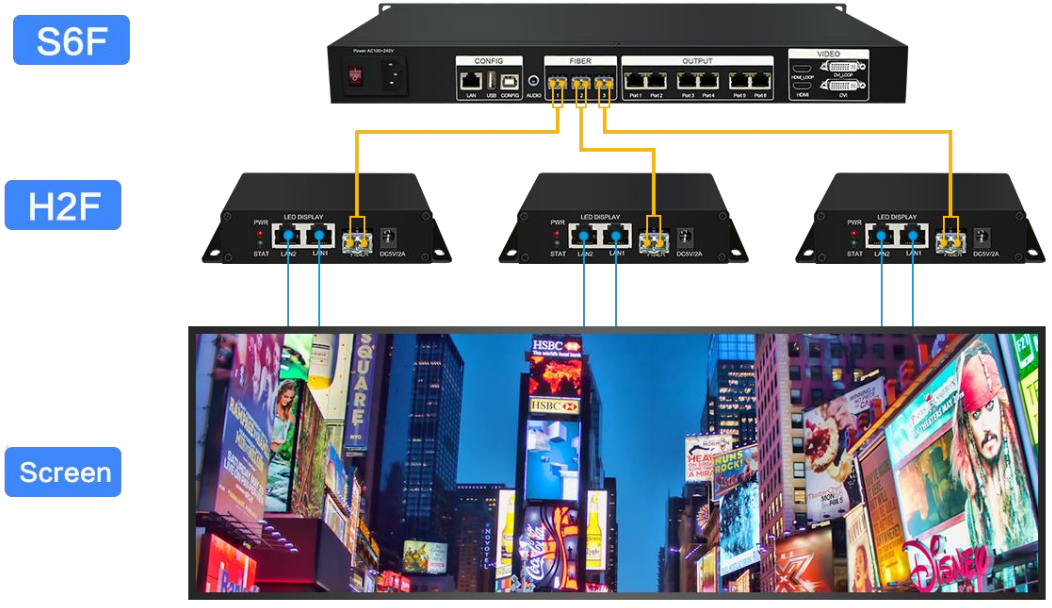
Storage Temperature	-40 ~85 °C
Operating Temperature	0 ~70 °C
Power	DC 5V/2A
Data Rate	2.5Gb/s
Working Mode	Single-mode
Transmission Distance	5Km
Fiber Interface Type	Duplex LC
Laser	DFB
Gigabit Ethernet Port	LAN 1 & LAN 2, RJ45
Fiber Interface	1 port, 2.5G bandwidth

Diagrams

Method 1: In conjunction with sending card.



Method 2: In conjunction with S6F sender.



Product Dimension

Unit: mm

