



● **Features:**

- Standard slim model, height: 30mm
- -15~+70°C working temperature
(refer to derating curve)
- Protections: short circuit/overload/
overvoltage
- 100% full load burn-in test
- High efficiency, high reliability
- 2 years warranty

● **Applications:** LED display, LED indicator light, LED TV wall and so on.

● **Product certifications:**



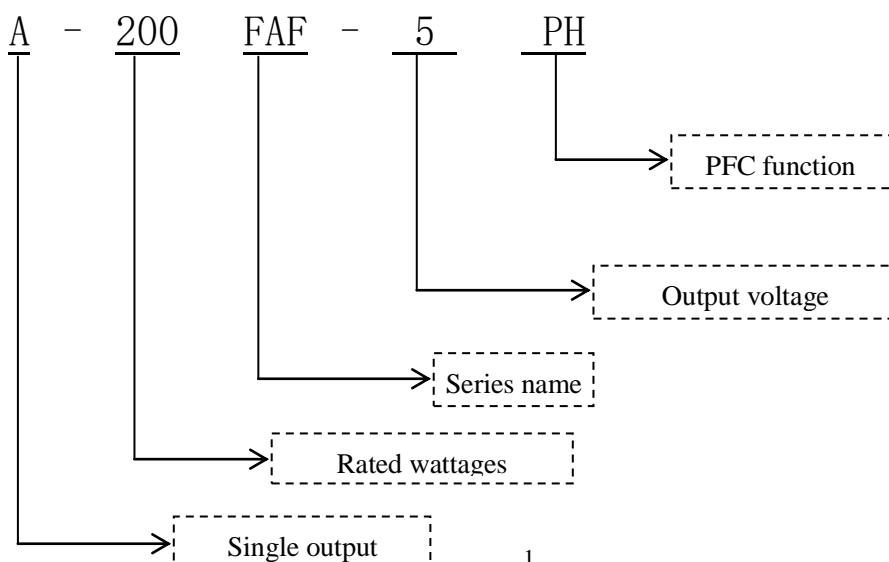
● **Standards:**

EN55024\EN61000-4-2, 3, 4, 5, 6, 8, 11\GB17625.1\EN61000-3-2, -3\EN55022\GB4943\UL1012

● **Product description:**

A-200FAF-PH is Led display power supply without fans. The input voltage rang is 180~264VAC and output wattages are 2. 8V、3V、3. 3V、3. 8V、3. 9V、4V、4. 2V、4. 5V、4. 6V、4. 8V、5V and so on. It can be applied to Led display, LED indicator light and other Led display filed. This series product is ultra-thin design with PFC function, with a height of only 30mm. It can adapt to a variety of box size requirements. Super high efficiency, compact shell design and good heat dissipation ensure the long-term stable work of this series of products.

● **Model Encoding**

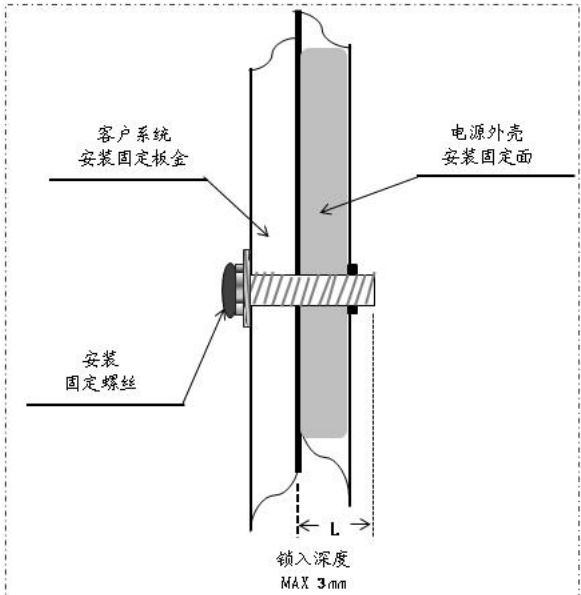


● SPECIFICATION

Model		A-200FAF-2.8PH	A-200FAF-3PH	A-200FAF-3.3PH	A-200FAF-3.8PH	A-200FAF-3.9PH	A-200FAF-4PH	A-200FAF-4.2PH	A-200FAF-4.5PH	A-200FAF-4.6PH	A-200FAF-4.8PH	A-200FAF-5PH
Input	Voltage range	180~264VAC										
	Input current	230VAC/1.35A										
	Efficiency	≥83%	≥83%	≥84%	≥85%	≥85%	≥85%	≥85%	≥86%	≥86%	≥87%	≥87%
	Frequency range	47~63HZ										
	Leakage current	<1mA/240VAC										
	Inrush current	Cold start 40A/230VAC										
	PFC	PF≥0.95										
Output	DC voltage	2.8V	3V	3.3V	3.8V	3.9V	4V	4.2V	4.5V	4.6V	4.8V	5V
	Rated current	40A	40A	40A	40A	40A	40A	40A	40A	40A	40A	40A
	Power	112W	120W	132W	152W	156W	160W	168W	180W	184W	192W	200W
	Voltage adj. range	/	/	/	/	/	/	/	/	/	/	/
	Ripple and noise	200mV p-p	200mV p-p	200mV p-p	200mV p-p	200mV p-p	200mV p-p	200mV p-p	200mV p-p	200mV p-p	200mV p-p	200mV p-p
	Set up, rise time	2000ms, 50ms/230VAC 100% load										
	Hold up time	20ms/230VAC 100% load										
	Line regulation	±0.5%	±0.5%	±0.5%	±0.5%	±0.5%	±0.5%	±0.5%	±0.5%	±0.5%	±0.5%	±0.5%
	Load regulation	±2.0%	±2.0%	±2.0%	±2.0%	±2.0%	±2.0%	±2.0%	±2.0%	±2.0%	±2.0%	±2.0%
	Output Voltage Accuracy	±2.0%	±2.0%	±2.0%	±2.0%	±2.0%	±2.0%	±2.0%	±2.0%	±2.0%	±2.0%	±2.0%
	EMC	EMS	Design refer to:EN55024 ;EN61000-4-2, 3, 4, 5, 6, 8, 11									
Harmonic current		Design refer to:GB17625.1;EN61000-3-2, -3										
EMC		Design refer to:EN55022, Class A										
Safety	Safety standard	Design refer to:GB4943/UL1012										
	Withstand voltage	I/P-O/P:3KVac/10mA; I/P-CASE:1.5KVac/10mA; O/P-CASE:0.5KVAC/10mA Testing time:1min										
	Isolation resistance	I/P-O/P: 50M ohms; I/P-Case:50M ohms; O/P-Case:50M ohms										
Protection	Over Voltage	Voltage limiting type, 110%~150% of rated voltage										
	Over load	110~150% rated Hiccup mode, recovers automatically after fault condition is removed										
	Over Temperature	/										
	Short circuit	Protection after short circuit, auto-recovery after eliminating										
Environment	Working temperature and humidity	-15~70℃ 20~95%RH no condensing (refer to derating curve)										
	Storage temperature and humidity	-40℃~85℃; 10~95%RH no condensing										
	Vibration	Frequency range 10 ~ 500Hz, acceleration 2G, each sweep cycle for 10min, 6 sweep cycles along										

		X, y, Z axis
	Shock	Acceleration: 20g, duration: 11ms, 3 impacts along X, y, Z axis
	Altitude	2000mtrs (for every 100 m higher than 2000 m, the ambient temperature decreases by 0.6 °C)
Reliability	MTBF	25°C:100000Hrs, MIL-217 Method
Others	Size	190*82*30mm (L*W*H)
	Packing	0.36Kg/pc, 30pcs/carton, 11KG/carton
	Cooling mode	<input checked="" type="checkbox"/> Free air <input type="checkbox"/> Fan
	Extension mode	<input type="checkbox"/> three proofings <input type="checkbox"/> terminal cover <input type="checkbox"/> Low temperature start (-40°C) <input type="checkbox"/> Others
Remarks	<p>*In order to extend the lifetime, it is recommended to configure the load more than 30% of the remaining allowance. For example: the power of the device requires 100W, then use the power of not less than 130W.</p> <p>*Ripple test method: 20MHz oscilloscope in power output terminal test, oscilloscope probe wire length is not more than 12mm, and input parallel 47uF electrolytic capacitors and 0.1uF high frequency capacitance probe.</p> <p>*All electrical performance tests are performed at 25 C.</p> <p>*When the product is used in full load, the aluminum plate with an area of 400 * 400 * 3mm shall be added for auxiliary heat dissipation.</p> <p>*The power supply is a part of the components of the equipment system. All EMC tests are conducted by installing the sample on the metal plate. The power supply shall be confirmed with the terminal equipment for electromagnetic compatibility.</p>	

● Installation

<p>Warning</p> <ul style="list-style-type: none"> • Using the mounting screws M3*6mm, • Deep housing screw dept MAX 3mm, • As shown on the right 	
--	--

● Product installation and Instructions:

- 1、When installing, please follow the mechanical size and installation method.
- 2、Before commissioning, please check and proofread the connections on the terminals to make sure that the input and output, AC and DC, positive and negative poles, voltage and current values are correct, to prevent the occurrence of reverse connection errors and to avoid damage to power supply and user equipment.
- 3、Please use the multimeter to measure whether the fire line, zero line and ground line are short-circuited and whether the output terminal is short-circuited before power is turned on.
- 4、Do not exceed the nominal value of the power supply in use, so as to avoid affecting the reliability of the product. If you need to change the output parameters of the power supply, please consult the technical department of our company before using the power supply to ensure the effectiveness and reliability of the use.
- 5、To ensure safety and reduce interference, ensure reliable grounding of grounding end (grounding wire>AWG18#).
- 6、If the power supply fails, please do not repair it without authorization. Please contact our customer service department as soon as possible. Customer service line: 86-519-85215050.

● Transport and storage:

1、Transport:

This packing is suitable for transportation of automobiles, ships, airplanes and trains. It should be rainproof and handled civilly during transportation.

2、Storage:

When the product is not in use, it should be placed in the packing box. The storage environment temperature and relative humidity should meet the requirements of the product. There should be no corrosive gas or products in the warehouse, and there should be no strong mechanical vibration, impact and strong magnetic field. Packing box should be at least 20 cm high from the ground, do not allow water immersion. If the storage time is too long (more than one year), it should be re-examined by professionals before it can be used.